

**HYDRECO**

HYDRAULIC SOLUTIONS PROVIDER

**HYDRECO  
POWAUTO**

# Transport Hydraulics

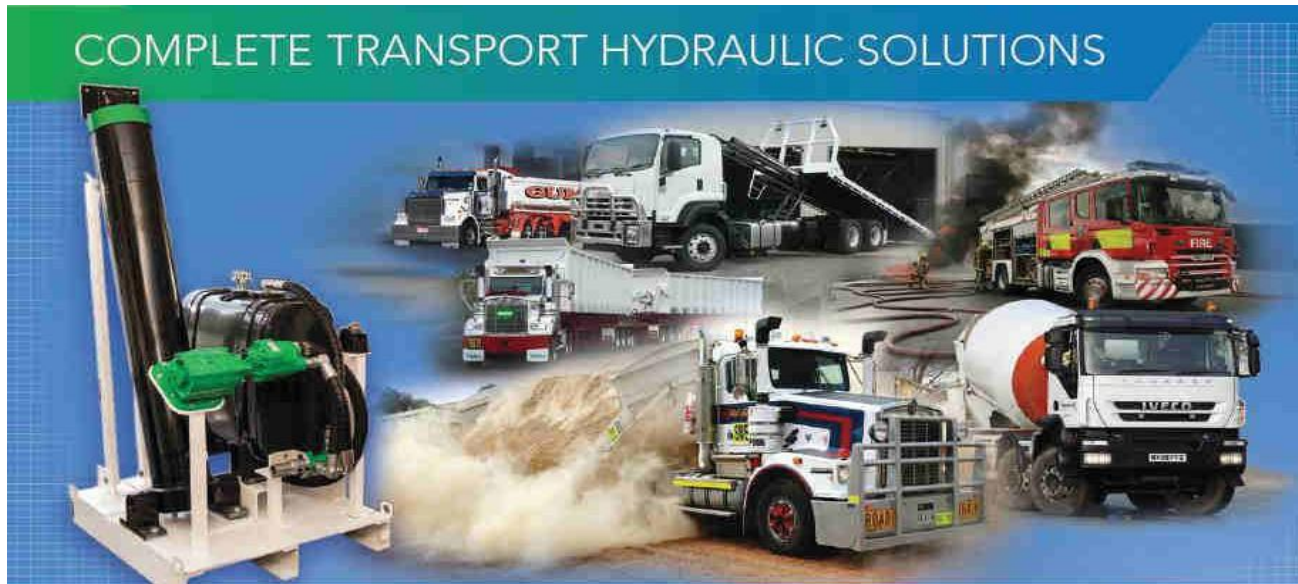
[www.hydreco.com](http://www.hydreco.com)

# HYDRECO

HYDRAULIC SOLUTIONS PROVIDER



## COMPLETE TRANSPORT HYDRAULIC SOLUTIONS



## Underbody Cylinders

**HYDRECO**

HYDRAULIC SOLUTIONS PROVIDER

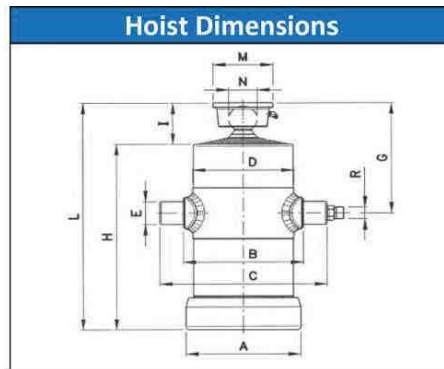
The UBB series hoist are manufactured from the highest quality hot rolled seamless tube machined to exacting tolerances. A chrome film is applied to the outer surface of all sliding sections. The sliding sections use quality Delrin bearings a thermoplastic used for high stiffness, low friction and excellent dimensional stability to ensure Long life and trouble free operation. All seals are high quality distortion-proof polyurethane. All upper and lower stops are steel and machined on the tubes to ensure reliable service. Idea for rear or side tipping applications, these hoists can be used from 2 to 28 tones pay load.



# Underbody Cylinders

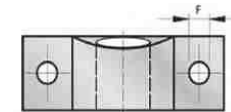
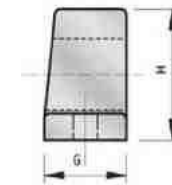
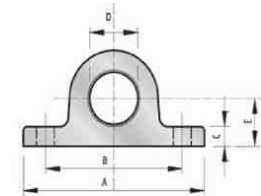


HYDRAULIC SOLUTIONS PROVIDER



Hoist Mount Dimensions (mm)									
Part No.	A	B	C	D	E	F	G	H	kg
UBFM-35	130	95	12	36	30	13	40	56	0.9
UBFM-40	140	108	15	41	33	15	45	66	1.2
UBFM-45	140	108	15	46	33	15	45	66	1.2
UBFM-50	150	116	15	51	36	15	45	71	1.4

Designation	Stages	Stroke	Stage Diameter (mm)													Nominal 100 BAR	Rated 160 BAR	Ideal Pivot Centres	Dimensions (mm)													Weight kg	Swept Volume litres
			32	46	61	72	76	91	107	127	146	166	A	B	C				D	E	G	H	I	L	M	N	R						
UBB95-3-500	3	500	o	o		o											3	4.8	565	110	115	200	95	35	142	245	69	314	100	45	1/2"	14	2.0
UBB114-4-850	4	850	o	o		o	o										5	8	980	130	135	220	114	35	142	289	71	360	100	45	1/2"	22	4.2
UBB127-4-1500	4	1500		o		o	o	o									8	12.8	1745	145	150	232	127	40	153	454	84	538	115	55	1/2"	40	10.3
UBB127-4-1700	4	1700		o		o	o	o									8	12.8	1980	145	150	232	127	40	153	504	84	588	115	55	1/2"	44	11.6
UBB127-4-2000	4	2000		o		o	o	o									8	12.8	2335	145	150	232	127	40	153	579	84	663	115	55	1/2"	53	13.5
UBB127-5-1050	5	1050	o	o		o	o	o									5	8	1215	145	150	232	127	40	142	288	73	361	100	45	1/2"	26	6.5
UBB127-5-1250	5	1250	o	o		o	o	o									5	8	1450	145	150	232	127	40	142	328	73	401	100	45	1/2"	29	7.6
UBB127-5-1500	5	1500	o	o		o	o	o									5	8	1745	145	150	232	127	40	142	378	73	451	100	45	1/2"	33	9.0
UBB127-5-2150	5	2150	o	o		o	o	o									5	8	2510	145	150	232	127	40	142	508	73	581	100	45	1/2"	41	12.6
UBB127-5-2500	5	2500	o	o		o	o	o									5	8	2925	145	150	232	127	40	142	578	73	651	100	45	1/2"	45	14.6
UBB127-6-850	6	850	o	o	o		o	o	o								5	8	980	145	150	232	127	40	142	218	73	291	100	45	1/2"	21	4.9
UBB127-6-1020	6	1020	o	o	o		o	o	o								5	8	1180	145	150	232	127	40	142	247	73	320	100	45	1/2"	23	5.6
UBB152-5-1500	5	1500		o		o	o	o	o								9	14.4	1745	170	175	262	152	45	155	391	86	477	115	55	1/2"	50	13.1
UBB152-5-2150	5	2150		o		o	o	o	o								9	14.4	2510	170	175	262	152	45	155	521	86	607	115	55	1/2"	61	18.3
UBB152-5-2500	5	2500		o		o	o	o	o								9	14.4	2925	170	175	262	152	45	155	591	86	676	115	55	1/2"	70	21.0
UBB152-6-1500	6	1500	o	o		o	o	o	o								6	9.6	1745	170	175	262	152	45	144	343	75	418	100	45	1/2"	38	11.9
UBB152-6-1800	6	1800	o	o		o	o	o	o								6	9.6	2100	170	175	262	152	45	144	393	75	468	100	45	1/2"	43	13.9
UBB152-6-3000	6	3000	o	o		o	o	o	o								6	9.6	3515	170	175	262	152	45	144	593	75	668	100	45	1/2"	62	22.2
UBB193-6-1800	6	1800		o		o	o	o	o	o							18	28.8	2100	220	230	320	193	50	247	406	96	52	107	65	3/4"	84	25.5
UBB193-6-2220	6	2220		o		o	o	o	o	o							18	28.8	2595	220	230	320	193	50	247	476	96	572	107	65	3/4"	96	30.9
UBB193-6-3000	6	3000		o		o	o	o	o	o							18	28.8	3515	220	230	320	193	50	247	606	96	702	107	65	3/4"	118	40.8

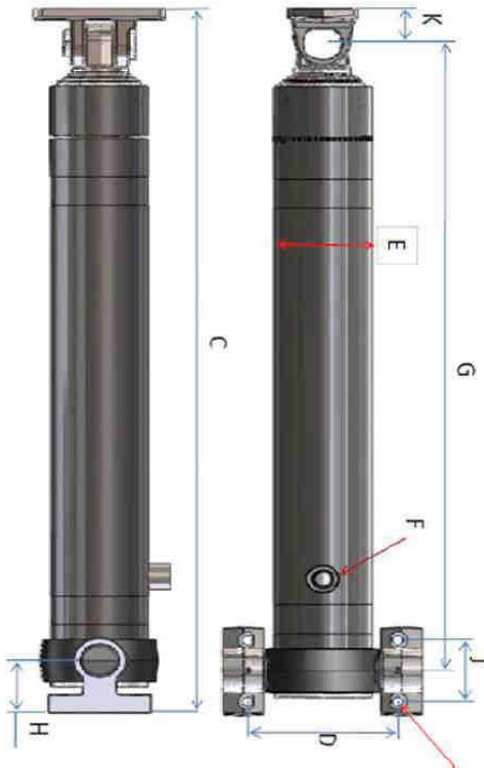


# Word Series Cylinder

## Data

# HYDRECO

HYDRAULIC SOLUTIONS PROVIDER



Designation	Closed Height 'C'	Stroke	Outer Barrel Size	Inlet Port 'F'	CTC Height 'G'	Foot Mount 'H'	Top Mount 'K'	Foot Hole Pattern 'D' x 'F'	Top Plate Hole Pattern 'L' x 'M'	Tipping Capacity 48"	Weight Kg	Swept Volume Litres	Pivot Length
S60-120-3-2710	1249	2710	143		1099	90	60	219 x 95	146 x 70	20t	99	22	3305
S60-120-3-3040	1359	3040	143		1209	90	60	219 x 95	146 x 70	20t	107	25	3707
S60-120-3-3300	1445	3300	143		1295	90	60	219 x 95	146 x 70	20t	113	27	4024
S60-120-3-3440	1492	3440	143		1342	90	60	219 x 95	146 x 70	20t	117	28	4195
S60-120-3-3640	1559	3640	143		1409	90	60	219 x 95	146 x 70	20t	119	30	4439
S60-120-3-3740	1592	3740	143		1442	90	60	219 x 95	146 x 70	20t	123	31	4561
S60-120-3-3855	1630	3855	143		1480	90	60	219 x 95	146 x 70	20t	126	32	4701
S60-120-3-4025	1687	4025	143		1537	90	60	219 x 95	146 x 70	20t	130	33	4909
S60-143-3-2720	1253	2720	165		1103	90	60	239 x 95	146 x 70	30t	118	31	3317
S60-143-3-3050	1363	3050	165		1213	90	60	239 x 95	146 x 70	30t	128	35	3720
S60-143-3-3235	1424	3235	165		1274	90	60	239 x 95	146 x 70	30t	134	37	3945
S60-143-3-3565	1534	3565	165		1384	90	60	239 x 95	146 x 70	30t	143	41	4348
S60-143-3-3740	1592	3740	165		1442	90	60	239 x 95	146 x 70	30t	149	43	4561
S60-143-3-3925	1654	3925	165		1504	90	60	239 x 95	146 x 70	30t	154	45	4787
S60-143-3-4109	1716	4109	165		1566	90	60	239 x 95	146 x 70	30t	159	48	5011
S60-143-3-4313	1783	4313	165		1633	90	60	239 x 95	146 x 70	30t	165	50	5260
S60-143-3-4680	1907	4680	165		1757	90	60	239 x 95	146 x 70	30t	177	54	5707
S60-143-4-3300	1180	3300	165		1030	90	60	239 x 95	146 x 70	30t	134	32	4024
S60-143-4-3500	1230	3500	165		1080	90	60	239 x 95	146 x 70	30t	140	37	4268
S60-143-4-3700	1280	3700	165		1130	90	60	239 x 95	146 x 70	30t	146	39	4512
S60-143-4-3900	1330	3900	165		1180	90	60	239 x 95	146 x 70	30t	150	41	4756
S60-143-4-4100	1380	4100	165		1230	90	60	239 x 95	146 x 70	30t	155	44	5000
S60-143-4-4335	1436	4335	165		1286	90	60	239 x 95	146 x 70	30t	165	46	5287
S60-143-4-4703	1530	4703	165		1380	90	60	239 x 95	146 x 70	30t	175	50	5735
S60-143-4-4995	1603	4995	165		1453	90	60	239 x 95	146 x 70	30t	181	56	6091
S60-165-4-4160	1412	4160	190		1262	90	60	305 x 165	146 x 70	40t	179	58	5073
S60-165-4-4640	1532	4640	190		1382	90	60	305 x 165	146 x 70	40t	194	65	5659
S60-165-4-4700	1548	4700	190		1398	90	60	305 x 165	146 x 70	40t	196	66	5732
S60-165-4-5100	1646	5100	190		1496	90	60	305 x 165	146 x 70	40t	208	71	6220
S60-165-4-5485	1743	5485	190		1593	90	60	305 x 165	146 x 70	40t	220	77	6689
S60-165-4-5696	1797	5696	190		1647	90	60	305 x 165	146 x 70	40t	226	80	6946
S60-165-4-5965	1863	5965	190		1713	90	60	305 x 165	146 x 70	40t	235	84	7274
S60-190-4-5985	1908	5985	216		1738	110	60	343 x 165	184 x 95	50t	300	114	7299
S60-190-4-6385	2008	6385	216		1838	110	60	343 x 165	184 x 95	50t	316	121	7787
S60-190-4-6560	2051	6560	216		1881	110	60	343 x 165	184 x 95	50t	322	124	8000
S60-190-4-7015	2165	7015	216		1995	110	60	343 x 165	184 x 95	50t	339	133	8555
S60-190-4-7295	2235	7295	216		2065	110	60	343 x 165	184 x 95	50t	350	138	8896
S60-190-5-6230	1658	6230	216		1488	110	60	343 x 165	146 x 70	45t	310	120	7598
S60-190-5-6745	1761	6745	216		1591	110	60	343 x 165	146 x 70	45t	324	126	8226
S60-190-5-7085	1829	7085	216		1659	110	60	343 x 165	146 x 70	45t	339	130	8640
S60-216-4-6230	2000	6230	248		1830	110	60	370 x 216	194 x 89	60t	422	157	7598
S60-216-4-7251	2255	7251	248		2085	110	60	370 x 216	194 x 89	60t	472	183	8843
S60-216-4-7640	2352	7640	248		2182	110	60	370 x 216	194 x 89	60t	494	193	9317



# HYDRECO

HYDRAULIC SOLUTIONS PROVIDER

