

HYDRECO

HYDRAULIC SOLUTIONS PROVIDER

**HYDRECO
POWAUTO**

Transport Hydraulics

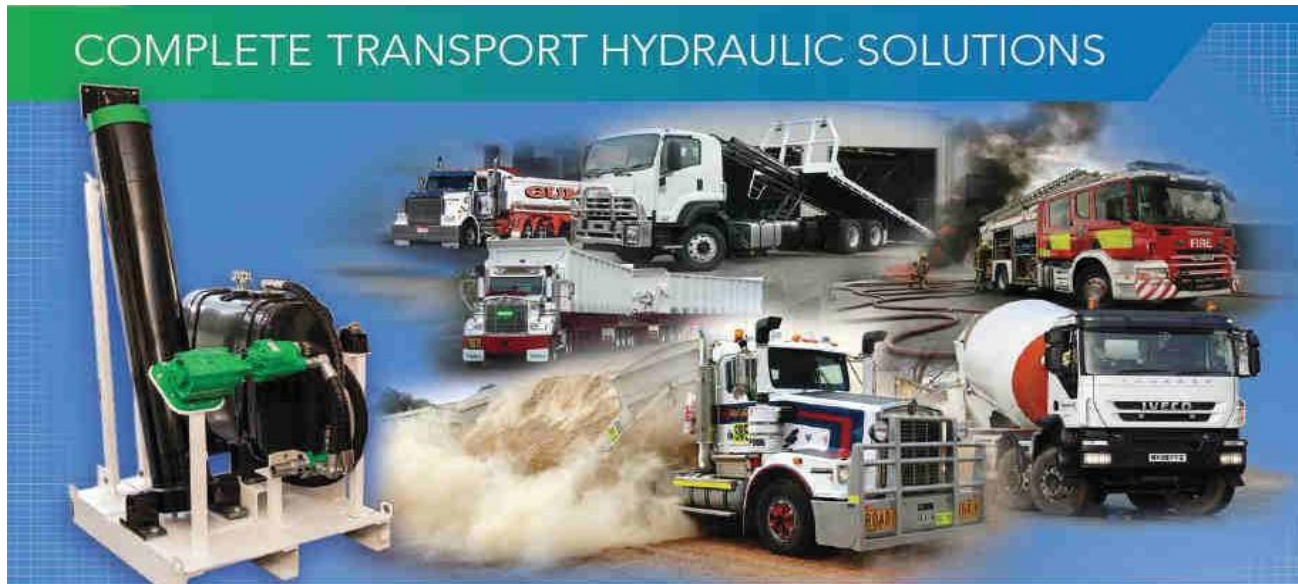
www.hydreco.com

HYDRECO

HYDRAULIC SOLUTIONS PROVIDER



COMPLETE TRANSPORT HYDRAULIC SOLUTIONS



Valves



VA83 Series Single Acting Tipper Valve

The 83 Series valve is a bracket mounted pressure balanced single spool valve, for control on hoist tipping applications.

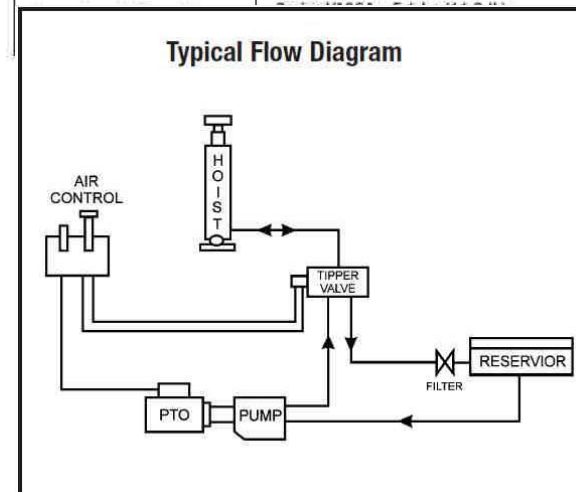
Used in conjunction with a proportional air control (e.g. CK90A or C) the valve controls the rate of lowering when the dampened model is ordered.



HYDRECO

HYDRAULIC SOLUTIONS PROVIDER

Technical Data	
Flow	The pressure differential in the raise position is 780 kPa (113 psi) at 150 l/min (40 USgpm) flow rate. The pressure differential in the lower or dump position is 480 kPa (70 psi) at 225 l/min (60 USgpm) flow rate.
Maximum Pressure	The maximum working pressure is 210 bar (3000 psi). The relief valve setting is adjustable down to 70 bar (1000 psi).
Port Sizes	Pump Port - 1 1/16" - 12 UN'0' Ring Cylinder Port - 1 1/16" - 12 UN'0' Ring Tank Port - 1 5/16" - 12 UN'0' Ring



VA204 Series Dual Spool Tipper Valve

The 204 valve has been designed in response to the changing needs of the modern truck market. These valves provide another option for truck and trailer applications where dual tipping or compact size is required, in conjunction with high flow rates. When used with a dual hoist control (e.g. CK108, CK167 TCU) these valves provide a compact solution to a common problem.

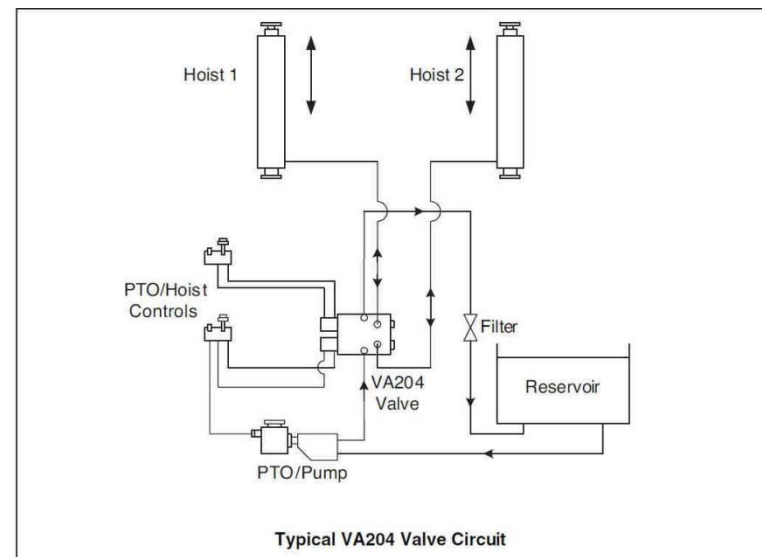


HYDRECO

HYDRAULIC SOLUTIONS PROVIDER

Technical Specification

Part Number	VA 204A140B
Number of spools	2
Spool function	Single acting
Flow capacity	140 l/min
Port sizes 'P' & 'B'	3/4 inch BSPP
Port Size 'T'	1 inch BSPP
Dampened on lower	Yes



VA300 Series Monoblock Valves



HYDRAULIC SOLUTIONS PROVIDER

The VA300 valve offers its user optimised characteristics with regard to function □ capacity and quality. It is designed with the machine builders high demands of cost effectiveness □ function and need of exceptionally good load manoeuvrability in mind. Suitable areas of use are Side-Tippers, Forklifts, Cranes, Loaders, excavators and other equipment where precise □ load control is required.



Technical Specifications	
Max Pressure	320 bar (4600 psi)
Max Pressure Port Relief	300 bar (4200 psi)
Max Tank Pressure	10 bar (150 psi)
Max Flow	140 lpm (37 US gpm)
Temperature-	40 to 80 deg C
Spool Leakage @ 100 bar	10cc/min Max
Filtration	18/14 t ISO4406
Viscosity Operating	10-400 cST

Port Sizes	BSPP
A, B	3/4"
P1, P2, T2	3/4"
T1	1"
HPCO	3/4"

Weight	Kg (lbe)
VA3018	.5 (18.9)
VA302	11.7 (26)
VA303	15.9 (35.3)
VA304	19.8 (44)
VA306	28.2 (62.7)

VALVE MODEL CODE

300 Series Valves

VA 301 A 140 D H *

Identifier
VA = Valve

Valve Series & No. of Spools
301 = 1 spool
302 = 2 spools
303 = 3 spools
304 = 4 spools
306 = 6 spools

Spool Control
- = Enclosed Lever (Standard)
A = Pneumatic Pilot on/off
P = Pneumatic Pilot proportional
H = Hydraulic pilot

Relief Setting in Bar
140 = 140 bar (2033 psi) Standard

Spool Type
D = Double Acting Cylinder
M = Motor
S = Single Acting "B" Port

Outlet Features
Blank = Standard
H = High Pressure Carry Over
C = Closed Centre

Manufacturer's Code
Used to indicate special features

VA600 Series Single Spool Valve



HYDRAULIC SOLUTIONS PROVIDER

The VA601 valve offers its user optimised characteristics with regard to function, capacity and quality. It is designed with the machine builders high demands of cost effectiveness, function and need of exceptionally good load manoeuvrability in mind. Suitable areas of use are Tippers loaders and other equipment where precise load control is required. Although the valves external dimensions are small, it does allow high internal flows and can be equipped with a large number of accessories as standard.



Technical Specifications	
Max Pressure	320 bar (4600 psi)
Max Tank Pressure	10 bar (150 psi)
Max Flow	180 lpm (48 US gpm)
Temperature-	-40 to 80 deg C
Spool Leakage @ 100 bar	10cc/min Max
Filtration	18/14 t ISO4406
Viscosity Operating	10-400 cST

Port Sizes	BSPP
A, B	3/4"
P1, P2, T2	3/4"
T1	1"
HPCO	3/4"

Weight	Kg (lbs)
VA6018	.5 (18.9)

VALVE MODEL CODE

600 Series Valves

VA 601 A 140 D H *

Identifier
VA = Valve

Valve Series & No. of Spools
601 = 1 spool only

Spool Control
- = Enclosed Lever (Standard)
A = Pneumatic Pilot on/off
P = Pneumatic Pilot proportional
H = Hydraulic pilot
R = 3 Position Detent

Relief Setting in Bar
140 = 140 bar (2033 psi) Standard
Z140 = 140 bar Dual Relief

Spool Type
D = Double Acting Cylinder
M = Motor
S = Single Acting "B" Port

Outlet Features
Blank = Standard
H = High Pressure Carry Over
C = Closed Centre

Manufacturer's Code
Used to indicate special features

Q Series Monoblock Valves



HYDRAULIC SOLUTIONS PROVIDER

The Q Series Monoblock directional control valves with high strength cast iron body and nickel plated spools available from 1 to 8 working section with flow up to 120 Lit./min. and with maximum working pressure up to 350 bar. Available with BSP ports from 1/4" to 1", UNF from SAE 6 up to SAE 16. Characterized by compact overall dimensions low pressure drop and very low internal leakages.

The Q Series Monoblock directional control valves can be assembled with several controls and positioning types several spools with different sensitive levels. To control pressure auxiliary valves can be assembled on each directional control valve, like anti-shock valves anti-cavitation valves or both.



	Q25	Q45	Q75	Q95
Working section max number		6	5	3
Oil range temperature	-30/80 °C		-22/176 °F	
Recommended oil temperature	30/60 °C		86/140 °F	
Recommended filtering	18 / 16 / 13			
Port Sizes	1/2" BSP	1-1/16" UNO	3/4" BSP	
Viscosity	58.9/1867 sus @ 100 °F			

Max working pressure	BAR / PSI			
From 1 up to 2 sections	350 5076	350 5076	350 5076	350 5076
3 sections	320 4640	300 4350	300 4350	300 4350
From 4 up to 6 sections	300 4350	270 3916	/	/
Max back pressure	25 362			
On request, 1 or 2 section Monoblock valve only, max back pressure may be 180 bar (indicate the letter "s" at the end of coding)	*	*		
Recommended Maximum Flow	23 LPM	45 LPM	75 LPM	120 LPM

VA3601 Series Tank Mounted Tipper Valves

HYDRECO

HYDRAULIC SOLUTIONS PROVIDER

The VA302 Series tank mounted control valve is a new product added to our range, providing an ease to fit solution for a light to medium tipper truck application. The VA3602 has been designed in response to the changing needs of the modern truck market and provides a compact solution to a common problem.



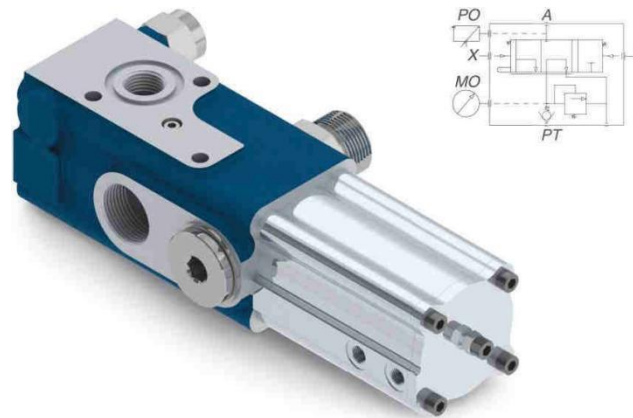
Valve Code	Flow Rate	Max. Working Pressure	Max. Peak Pressure	Pneumatic Working Pressure	Weight	Port 'P'	Port 'T'	Port 'C'
	l/min	bar	bar	bar	kg	BSPP	BSPP	BSPP
VA3601A140A	110	170	190	12	7.5	G1"	G3/4"	G1"

VA3602 Series Tank Mounted Tipper Valves

HYDRECO

HYDRAULIC SOLUTIONS PROVIDER

The VA301 Series high flow tank mounted control valve is a new product added to our range, providing an ease to fit solution for a tipper application. The VA3601 has been designed in response to the changing needs of the modern truck market and provides a compact solution to a common problem.



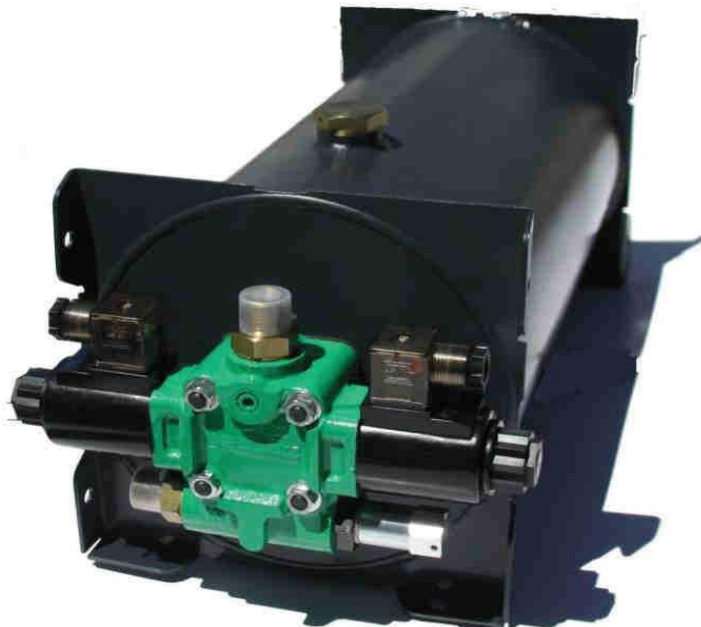
Valve Code	Flow Rate	Max. Working Pressure	Max. Peak Pressure	Pneumatic Working Pressure	Weight	Port 'P'	Port 'T'	Port 'C'
	l/min	bar	bar	bar	kg	BSPP	BSPP	BSPP
VA3602A140A	180	200	350	7-21	6.4	G3/4"	G1/2"	G1"

TKV15 Series Tank Valve Assembly

HYDRECO

HYDRAULIC SOLUTIONS PROVIDER

The Electric Open centre tipping valve available in 12V & 24V, operated by switch to suit light duty tipper trucks. Comes with a built-in check and adjustable relief valve. Mounted to a 15ltr steel powder coated hydraulic tank for undemanding and low cost fitment to the vehicle.



Technical Specifications

Maximum Flow	40 L (10.5 US GPM)
Max. Working Pressure	250 Bar (3625 PSI)
Max. Peak Pressure	300 Bar (4350 PSI)
Temperature	-25 to 80 °C
Viscosity Range	12 - 100cSt
Oil Filtering	25µm
Weight	8 Kg
Valve Ports	1/2" BSPP
Tank Ports	3/4" BSPP

For full details refer to your Hydreco distributor

VA86 Series Diverter Valve

HYDRECO

HYDRAULIC SOLUTIONS PROVIDER

The 86 Series valve is used to direct oil flow from between two hydraulic applications.

This valve is used extensively in B-Double and Truck & Dog applications for tipping both the front and rear trailers. Can be control manually or pneumatically



Technical Data

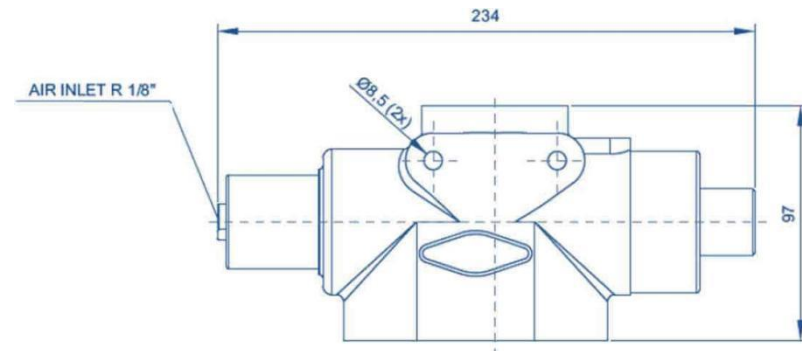
Flow:	189 l/min (50 USgpm). (With spool in any positions the oil passageway within the valve is equivalent to a 1" diameter hose or pipe.)
Port Sizes:	1 5/16" 12UN O-Ring
Approximate Bare Mass:	Series 86C - 7.1 kg (15.7 lb) Series 86A - 7.8 kg (17.2 lb)

VA3603 Series Diverter Valve



HYDRAULIC SOLUTIONS PROVIDER

The VA3603 Series valve is a low cost smaller in size option used to direct oil flow from between two hydraulic applications. This valve is used extensively in B-Double and Truck & Dog applications for tipping both the front and rear trailers. Can only be controlled pneumatically



Valve Code	Flow Rate	Max. Pressure	Pneumatic	Weight	Ports
	l/min	bar	bar	kg	BSPP
VA3603A	140	350	12	7.5	G 1"

D3V Series Diverter Valves

HYDRECO

HYDRAULIC SOLUTIONS PROVIDER

Ideal for low to medium flow diversion in medium or high pressure systems, This valve provides a low cost alternative to an air-operated truck hydraulic system.

Simple to operate this valve opens both systems during transition to prevent pressure spikes in operation.



D3V-3/4



D3V-1 HP

Model	Max Flow (l/min)	Max Pressure (bar)	d1	d2	C	D	E	F	G	H	I	L
D3V-1/2	80	250	G1/2	8.5	36	43	96	173	30	85	24	70
D3V-3/4	120	220	G3/4	10.5	41	47	101	179	32	91	28	80
D3V-1	180	220	G1	10.5	50	51	115	194	32	98	32	90
D3V-1/2 HP	90	350	G1/2	11	27.5	40	80	165	30	80	38	71
D3V-3/4 HP	120	350	G3/4	11.5	30	45	90	169	32	90	44	80
D3V-1 HP	180	320	G1	11	38	53	106	217	60	106	53	88



HYDRECO

HYDRAULIC SOLUTIONS PROVIDER

